

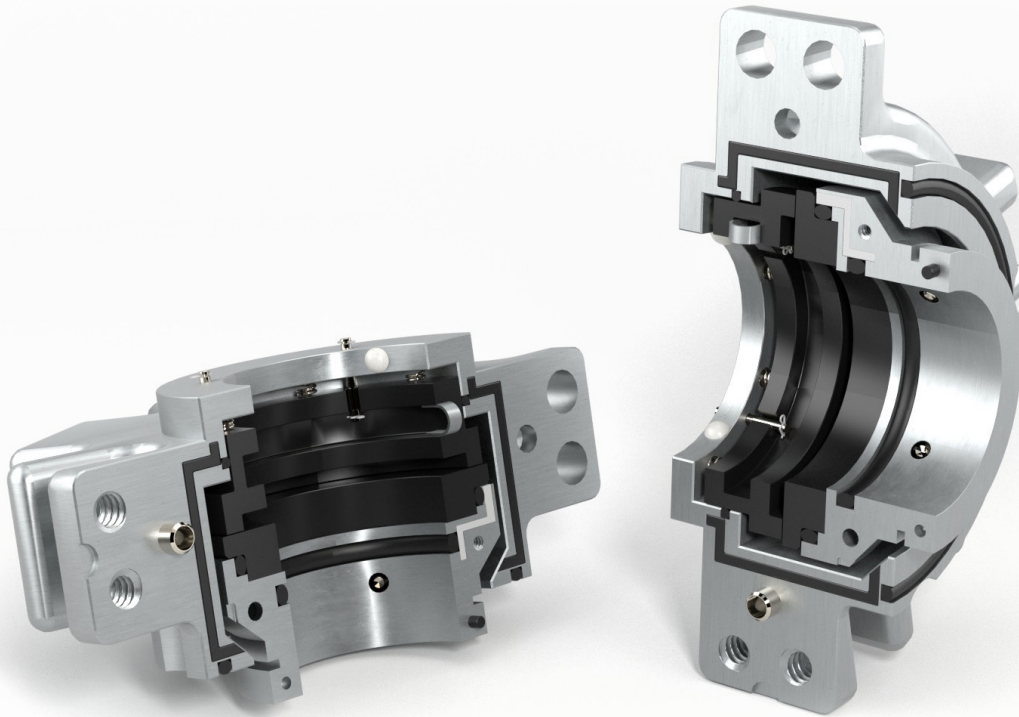


A.R. THOMSON GROUP INC.

GASKETS • SEALS • PACKING • INSTRUMENTATION VALVES & FITTINGS

TRS 310

Single Split Mechanical Seal



**MINIMIZE DOWNTIME - WITH THE
ADVANTAGE OF A SPLIT DESIGN**

TRS 310

SINGLE SPLIT MECHANICAL SEAL

These are the unique features and benefits available only with the TRS 310 Split Single Seal.

ADVANTAGES OF SPLIT SEAL Vs. PACKING:

- Installed without dismantling equipment.
- Reduced maintenance and inventory costs.
- Won't wear or score shaft sleeve.
- No need to adjust or maintain.
- Eliminates leakage required to cool packing.
- Increases Up-time.
- Less housekeeping.
- Lower power consumption = reduced carbon footprint.
- Field repairable.
- Increases safety & reduces liability.

EQUIPMENT APPLICATIONS:

- Pumps
- Agitators
- Blenders
- Separators
- Refiners
- Dryers
- Mixers
- Equipment with limited access.

APPLICABLE INDUSTRIES:

- Pulp and paper
- Power generation
- Wastewater treatment
- Mining
- Grain processing
- Pipeline
- Water systems
- Petroleum/ Chemical (non-hazardous)

TECHNICAL DATA:

Sizes	1 1/2" thru 7"*
Temperatures	250°F
Operating Conditions	1 1/2", 2 5/8": 200 PSI, 3600 RPM
	2 3/4", 2 5/8": 150 PSI, 1750 RPM
	4 7/8", 7": 100 PSI, 875 RPM

MATERIALS OF CONSTRUCTION:

Face Combinations	Carbon vs Silicon Carbide Silicon Carbide vs Silicon Carbide
Springs	Alloy C276
Elastomers	Ethylene Propylene, Fluoroelastomer, *AFLAS®
Rotary Collar Gland Bolts	316SS 316SS 316SS

LARGE INTERNAL CLEARANCES

Allows for excessive radial or axial movement.

DYNAMIC O-RING

The design provides clean area for the stationary component to advance beneath o-ring.

STATIONARY SPRINGS

Isolated from pumped fluid and unaffected if gland is misaligned.

GLAND IS SELF-CENTERING

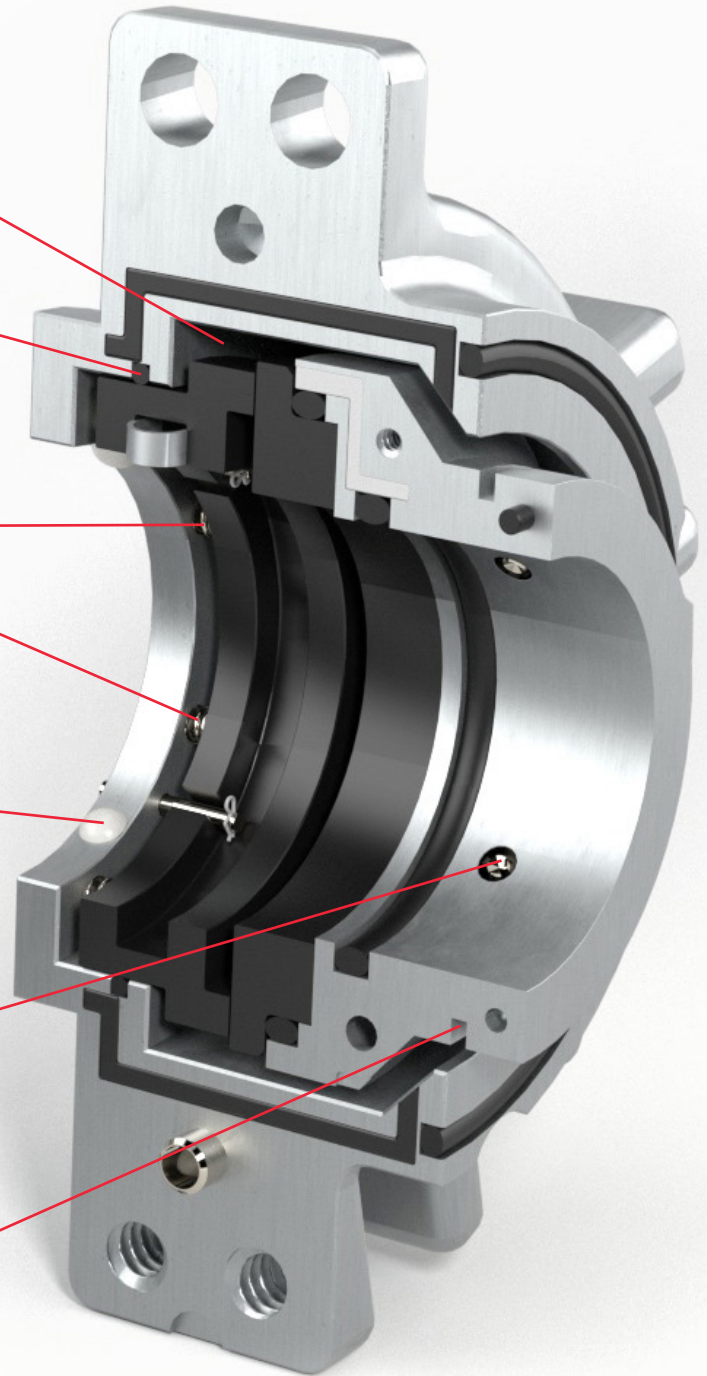
Spacers are affixed in place preventing their accidental removal.

ROTARY UNIT

Locked to shaft by set of screws, virtually eliminating slippage of collar.

ROTARY COLLAR

Positions without measuring. Disposable Spacer allows for quick, easy positioning.

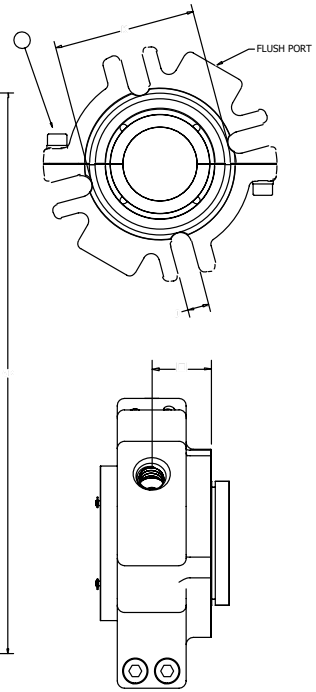
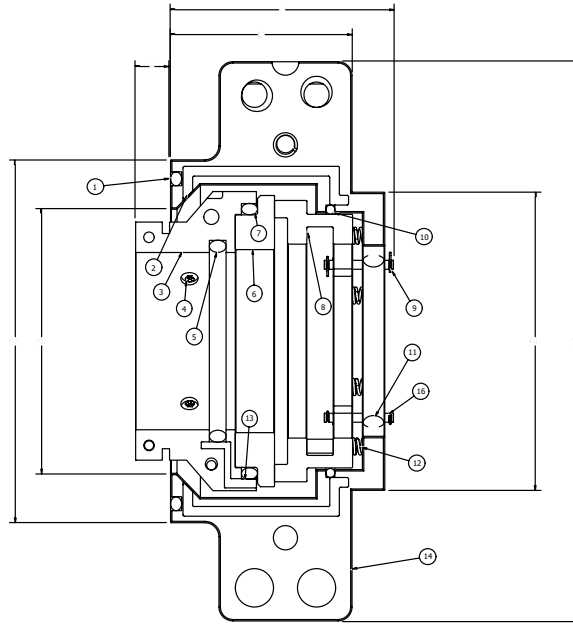


NO ADHESIVE INVOLVED IN THE INSTALLATION

This simplifies and speeds up the procedure.

TRS 310 - SPLIT SINGLE SEAL

ITEM	DESCRIPTION
1	O-RING
2	GLAND SEAM GASKET
3	ROTARY COLLAR
4	SET SCREWS
5	O-RING
6	ROTARY FACE
7	RETAINING CLIP
8	O-RING
9	RETAINING CLIP
10	O-RING
11	CENTERING SPACERS
12	SPRINGS
13	COLLAR SEAM GASKET
14	GLAND
15	CAP SCREW / WASHERS
16	ANTI-ROTATION PIN



A	B (MIN)	B (MAX)	C (MIN)	D	E	F	G	H	I	J	K	L
1.500	2.25	2.50	2.75	5.00	2.50	2.19	1.78	1.13	.28	.56	2.94	.66
1.625	2.38	2.63	2.88	5.00	2.63	2.19	1.78	1.13	.28	.56	3.06	.66
1.750	2.50	2.75	3.00	5.50	2.75	2.19	1.78	1.13	.28	.56	3.19	.66
1.875	2.63	2.88	3.13	5.50	2.88	2.19	1.78	1.13	.28	.56	3.31	.66
1.937	2.75	3.00	3.25	5.50	3.00	2.19	1.78	1.13	.28	.69	3.44	.66
2.000	2.75	3.00	3.25	5.50	3.00	2.19	1.78	1.13	.28	.56	3.44	.66
2.125	2.88	3.13	3.38	6.00	3.13	2.19	1.78	1.13	.28	.69	3.56	.66
2.187	2.94	3.19	3.44	6.25	3.19	2.19	1.78	1.13	.28	.69	3.62	.66
2.250	3.00	3.25	3.50	6.25	3.25	2.19	1.78	1.13	.28	.69	3.69	.66
2.375	3.13	3.38	3.63	6.50	3.38	2.19	1.78	1.13	.28	.69	3.81	.66
2.500	3.25	3.75	4.00	6.50	3.50	2.19	1.78	1.13	.28	.69	4.06	.66
2.625	3.38	3.88	4.13	6.62	3.62	2.19	1.78	1.13	.28	.69	4.19	.66
2.750	3.63	4.25	4.69	7.75	3.94	2.56	2.06	1.34	.38	.69	5.03	.72
2.875	3.75	4.38	4.81	7.88	4.05	2.56	2.06	1.34	.38	.72	5.15	.72
2.937	3.81	4.44	4.88	8.00	4.11	2.56	2.06	1.34	.38	.72	5.21	.72
3.000	3.88	4.50	4.94	8.00	4.19	2.56	2.06	1.34	.38	.72	5.28	.72
3.250	4.13	4.75	5.19	8.25	4.44	2.56	2.06	1.34	.38	.72	5.53	.72
3.375	4.25	4.88	5.31	8.38	4.56	2.56	2.06	1.34	.38	.72	5.66	.72
3.500	4.38	5.00	5.44	8.50	4.69	2.56	2.06	1.34	.38	.81	5.78	.72
3.625	4.50	5.13	5.56	8.63	4.81	2.56	2.06	1.34	.38	.81	5.91	.72
3.750	4.63	5.25	5.69	8.75	4.94	2.56	2.06	1.34	.38	.81	5.94	.72
3.875	4.75	5.31	5.81	8.88	5.06	2.56	2.06	1.34	.38	.81	6.07	.72
4.000	4.88	5.50	5.94	9.00	5.19	2.56	2.06	1.34	.38	.81	6.28	.72
4.250	5.13	5.75	6.19	9.25	5.44	2.56	2.06	1.34	.38	.81	6.44	.72
4.375	5.25	5.88	6.32	9.38	5.56	2.56	2.06	1.34	.38	.81	6.56	.72
4.500	5.38	6.00	6.44	9.50	5.69	2.56	2.06	1.34	.38	.81	6.69	.72
4.750	5.63	6.25	6.69	9.75	5.94	2.56	2.06	1.34	.38	.81	7.03	.72
5.000	5.88	7.00	7.50	11.00	6.50	3.56	3.00	1.88	.50	.94	7.63	1.12
5.250	6.13	7.25	7.75	11.25	6.75	3.56	3.00	1.88	.50	.94	7.88	1.12
5.375	6.25	7.38	7.88	11.38	6.88	3.56	3.00	1.88	.50	.94	8.00	1.12
5.500	6.38	7.50	8.00	11.50	7.00	3.56	3.00	1.88	.50	.94	8.13	1.12
6.000	6.88	8.00	8.50	12.00	7.50	3.56	3.00	1.88	.50	.94	8.63	1.12
6.250	7.13	8.25	8.75	12.25	7.75	3.56	3.00	1.88	.50	.94	8.88	1.12
6.500	7.38	8.50	9.00	12.50	8.00	3.56	3.00	1.88	.50	.94	9.13	1.12
7.000	7.88	9.00	9.50	13.00	8.50	3.56	3.00	1.88	.50	.94	9.63	1.12

Limitation of liability: actual performance may vary and is determined by factors unique to a given application. It is recommended that care be taken in the selection and application of materials for hazardous services and controlled testing be undertaken to determine suitability for a specific application. A.R. Thomson Group does not make or imply any warranty of suitability for a particular purpose and is not liable for any damages arising from the use of the information in this sheet.

arthomson.com



Locations across Canada to serve you. For your nearest branch, please visit: www.arthomson.com

Copyright © A.R. Thomson Group - All rights reserved.