

TRS 420

Dual Split Mechanical Seal



**MINIMIZE DOWNTIME - WITH THE
ADVANTAGE OF A SPLIT DESIGN**

TRS 420

DUAL SPLIT MECHANICAL SEAL

ADVANTAGES OF A SPLIT SEAL:

- Installed without dismantling equipment.
- Drastically cuts turnaround time.
- Reduced maintenance cost.
- No packing gland to re-tighten.
- Won't wear or score shaft.
- Operates with less leakage than packing.
- Lasts longer than packing.
- Consumes less power than packing.
- Uses less time than packing a pump.
- Less leakage to product side.

EQUIPMENT APPLICATIONS:

- Pumps
- Agitators
- Blenders
- Separators
- Dryers
- Mixers
- Reactors

APPLICABLE INDUSTRIES:

- Pulp and Paper, especially Liquor Applications
- Corn/Grain/Food Processing
- Steel
- Wastewater
- Breweries
- Mining
- Power Generation
- Petroleum/Chemical (nonhazardous)

The protection and reliability of double seal with the convenience of a split seal.

REDUCES INVENTORY COSTS

Split design allows the seal to be replaced without disassembly and no need for a back-up pump to be inventoried.

NO MODIFICATION REQUIRED

Retrofits most pumps without modification.

CONSERVES WATER

When used with a supply tank, the 420 circulates barrier fluid in a closed loop.

ALIGNMENT INDICATOR

Pins provide a visual indication of correct alignment. They also function as a visual wear indicator while in service.

FIELD REPAIRABLE

Repair kits are available for quick and economical repair in-field.

COOLING IS GREATLY ENHANCED

The faces are all within close proximity and totally immersed in the barrier fluid, improving seal life.

HANDLES EXCESS RUN-OUT

Unique face configuration allows for greater misalignment vs. conventional seals.

NO ADHESIVE INVOLVED IN INSTALLATION

Which speeds and simplifies the installation procedure.

ALIGNMENT CLIPS

to ensure perfect alignment of stationary faces (Patented).

UNIQUE STACKED FACES

For compact design allowing retrofit without modification.

SELF CENTERING

Integral Spacers are affixed to the seal preventing accidental removal.

SINGLE ROTARY FACE

Allowing for maximum movement and colling.

GLAND IS SELF CENTERING

to the shaft with spacers affixed in place preventing their accidental removal.

STATIONARY SPRINGS ARE ISOLATED

from pumped fluid and unaffected if gland is misaligned.

ALIGNMENT PINS PROTRUDE

to show correct installation.

SILICON CARBIDE FACES

installed at 90° to collar splits to ensure face flatness.

ROTARY UNIT USES A POSITIVE DRIVE

locked to shaft by set screws virtually eliminating slippage.

ROTARY COLLAR POSITIONS WITHOUT MEASURING

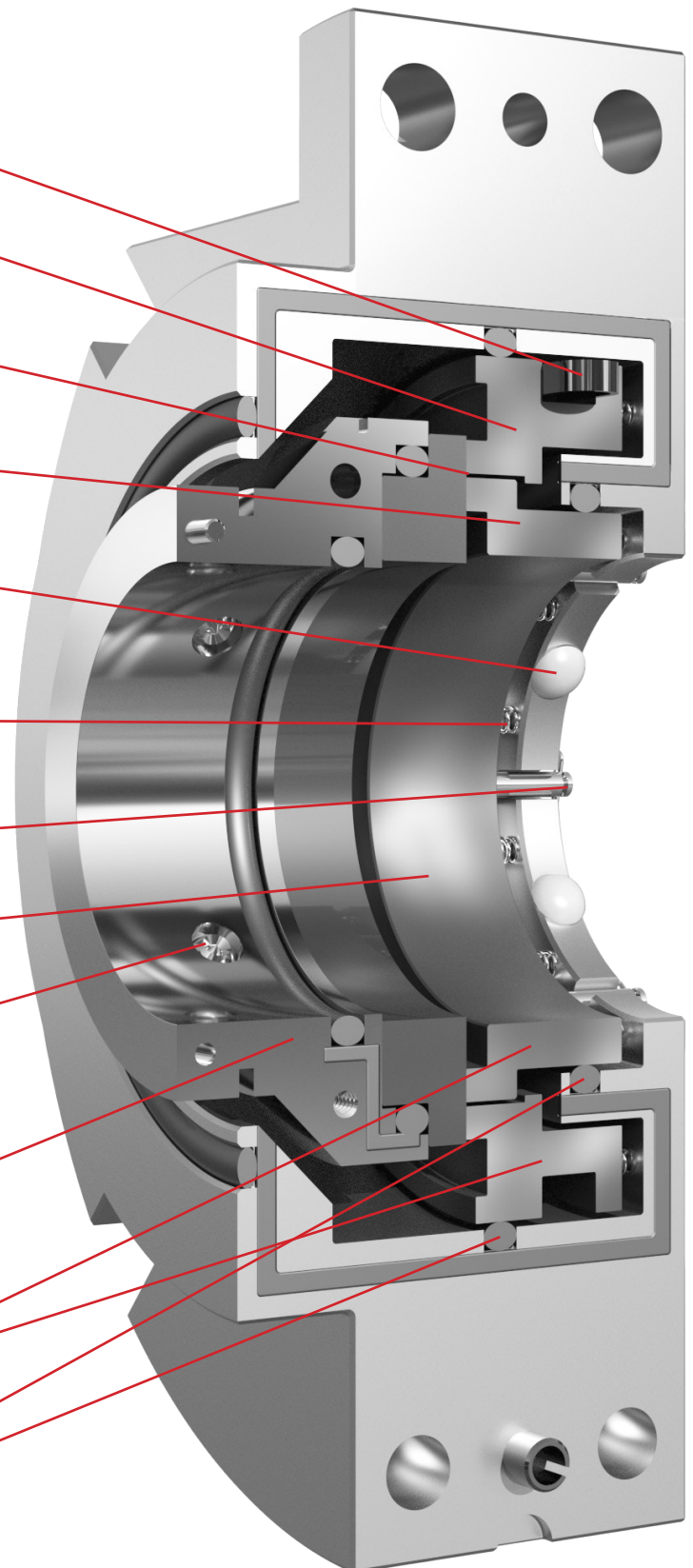
Disposable spacer allows for quick, easy positioning.

STATIONARY COMPONENTS ARE HELD IN PLACE

in the gland so that no individual parts have to be handled.

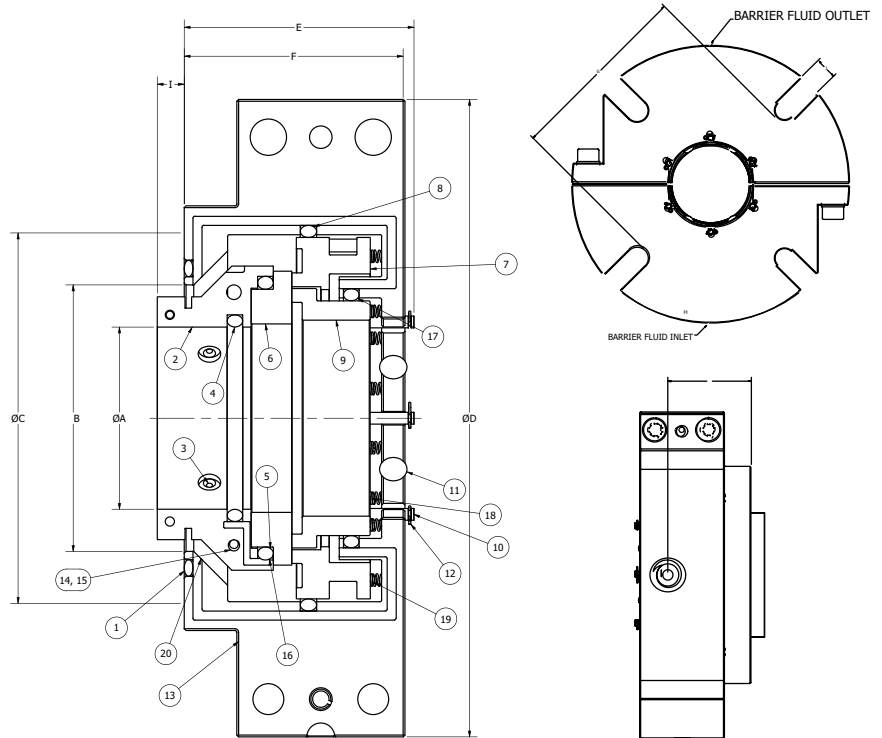
PROTECTED O-RINGS

Dynamic O-rings advance in a clean area if face wears,



TRS 420 - SPLIT DUAL SEAL

ITEM	DESCRIPTION	REPAIR KIT
1	O-RING	*
2	ROTARY COLLAR	
3	SET SCREWS	*
4	O-RING	*
5	O-RING	*
6	ROTARY FACE	*
7	UPPER INBOARD STATIONARY FACE	*
8	O-RING	*
9	LOWER OUTBOARD STATIONARY FACE	*
10	ANTI-ROTATION PINS	*
11	CENTERING SPACERS	
12	RETAINING CLIPS	*
13	GLAND	*
14	LOCK WASHERS	*
15	CAP SCREWS	*
16	COLLAR SEAM GASKETS	*
17	O-RING	*
18	SPRINGS	*
19	SPRINGS	*
20	GLAND SEAM GASKETS	*



A	B (MIN)	B (MAX)	C (MIN)	D	E	F	G	H	I	J
1.750	2.50	2.75	3.12	6.18	2.32	2.13	4.15	1.61	.28	.56
1.875	2.63	2.88	3.25	6.31	2.32	2.13	4.28	1.61	.28	.56
2.000	2.75	3.00	3.37	6.44	2.32	2.13	4.39	1.61	.28	.56
2.125	2.88	3.13	3.50	6.54	2.32	2.13	4.64	1.61	.28	.69
2.500	3.25	3.75	4.00	6.90	2.32	2.13	5.02	1.61	.28	.69
2.625	3.37	3.88	4.12	7.02	2.32	2.13	5.14	1.61	.28	.69
2.750	3.63	4.25	4.69	7.75	2.69	2.50	5.31	1.61	.38	.69
3.000	3.88	4.50	4.94	8.00	2.69	2.50	5.56	1.86	.38	.72
3.250	4.13	4.75	5.19	8.25	2.69	2.50	5.81	1.86	.38	.72
3.500	4.38	5.00	5.44	8.50	2.69	2.50	5.81	1.86	.38	.81
3.625	4.50	5.13	5.56	8.63	2.69	2.50	6.16	1.86	.38	.81
3.750	4.63	5.25	5.69	8.75	2.69	2.50	6.31	1.86	.38	.81
4.000	4.88	5.50	5.94	9.00	2.69	2.50	6.56	1.86	.38	.81
4.500	5.38	6.00	6.44	9.50	2.69	2.50	6.81	1.86	.38	.81
4.750	5.63	6.25	6.69	9.75	2.69	2.50	7.31	1.86	.38	.81
5.500	6.38	7.50	8.09	11.50	2.69	3.50	8.41	2.71	.50	.94
FOLLOWING FOR BIG BORE PUMPS 2400S+										
1.750+	2.50	4.06	3.78	6.31	2.32	2.13	4.50	1.61	.28	.56
1.875+	2.63	4.03	3.91	6.25	2.32	2.13	4.41	1.61	.28	.56
2.125+	2.88	4.44	4.16	7.12	2.32	2.13	5.31	1.61	.28	.69
2.500+	3.25	5.19	4.53	7.87	2.32	2.13	5.62	1.61	.28	.69
2.625+	3.37	4.88	4.66	7.50	2.32	2.13	5.44	1.61	.28	.69

Limitation of liability: actual performance may vary and is determined by factors unique to a given application. It is recommended that care be taken in the selection and application of materials for hazardous services and controlled testing be undertaken to determine suitability for a specific application. A.R. Thomson Group does not make or imply any warranty of suitability for a particular purpose and is not liable for any damages arising from the use of the information in this sheet.

arthomson.com

 **A.R. THOMSON GROUP INC.**
 Locations across Canada to serve you. For your nearest branch, please visit: www.arthomson.com
 Copyright © A.R. Thomson Group - All rights reserved.