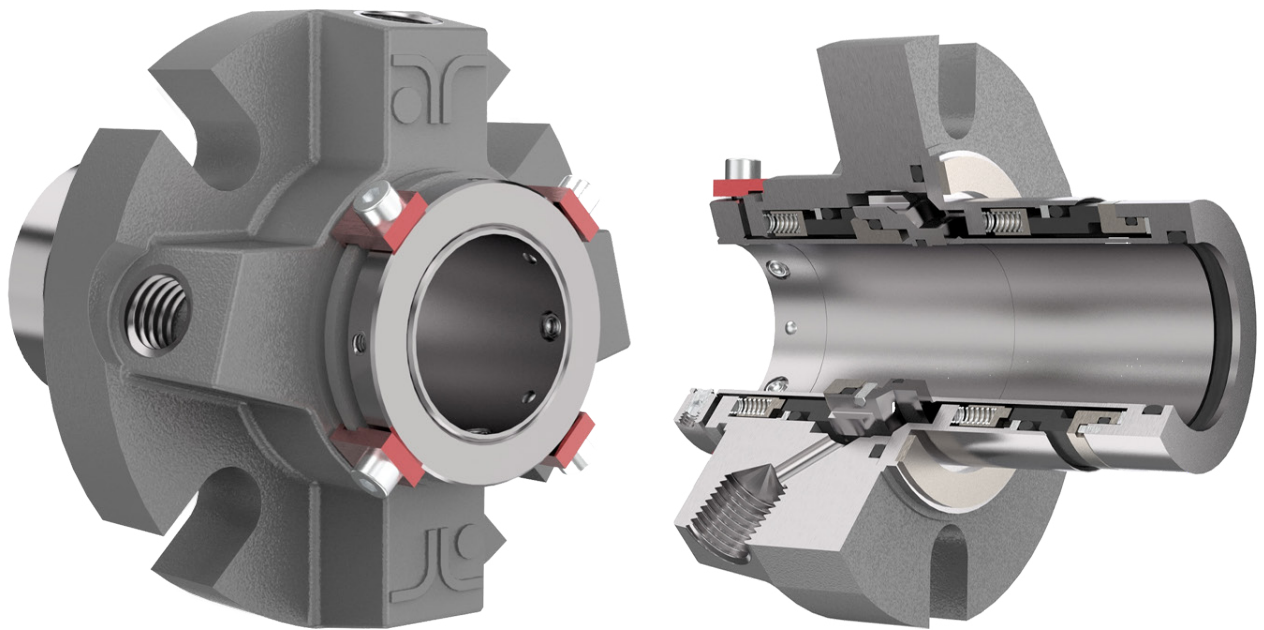


MECHANICAL SEAL SERVICES



FLUID CONTAINMENT
SPECIALISTS SINCE 1967

Mechanical Seal Repair

A.R. Thomson Group Inc.'s seal repair facilities can service any brand of mechanical seal currently in the market.

Major Brands Repaired:

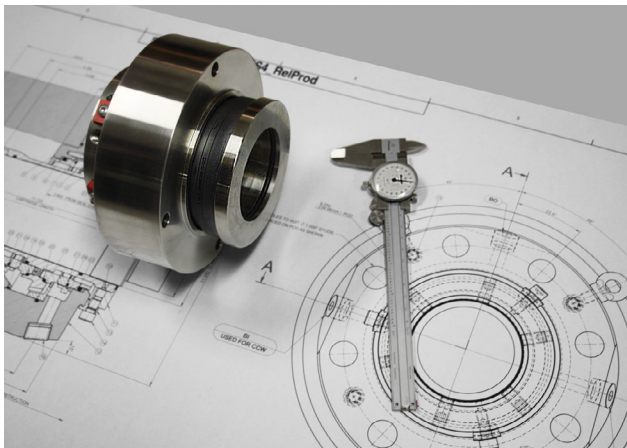
John Crane
Flowserve
Eagle Burgmann
Chesterton
AESSEAL

Market Segments:

API, Pulp & Paper,
Industrial, Biofuels,
Municipal, and
Food & Beverage.

THE PROCESS

Upon receipt, seals are decontaminated, cleaned and assessed. When necessary, PMI equipment is used to verify the materials of construction. All reconditioned components are brought to OEM specification, reducing lead time and cost of repair. Once assembled, all seals are tested to API 682 and marked with a unique number to allow for traceability. All seals are returned to the customer with a signed and stamped Quality Assurance card which can be retained for later reference.



FULLY WARRANTED SERVICES

COMPREHENSIVE FAILURE ANALYSIS

To identify the root cause of your seal failure and provide detailed reports to help prevent future issues.

REVERSE ENGINEERING

And innovative solutions to extend the life of your mechanical seals and improve their performance.

APPLICATION ENGINEERING

Skilled engineers and technicians who use the latest technology and materials to provide high-quality repairs and re-engineering services.

CUSTOM

Solutions tailored to your specific needs.



WANT TO LEARN MORE?

Check out our expanded mechanical seal repair capabilities across Canada! We can provide detailed failure analysis and provide sealing solutions for any of your sealing applications.



Limitation of liability: actual performance may vary and is determined by factors unique to a given application. It is recommended that care be taken in the selection and application of materials for hazardous services and controlled testing be undertaken to determine suitability for a specific application. A.R. Thomson Group Inc. does not make or imply any warranty of suitability for a particular purpose and is not liable for any damages arising from the use of the information in this sheet.